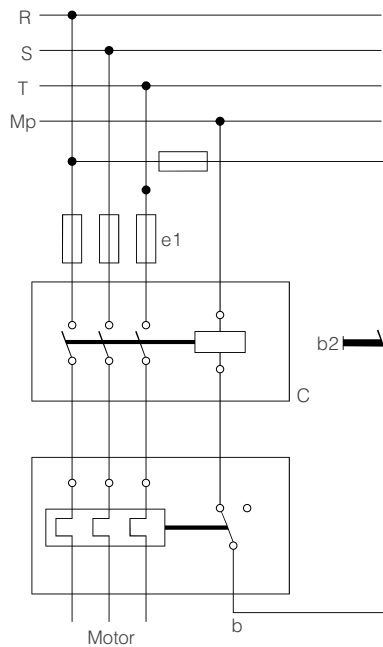
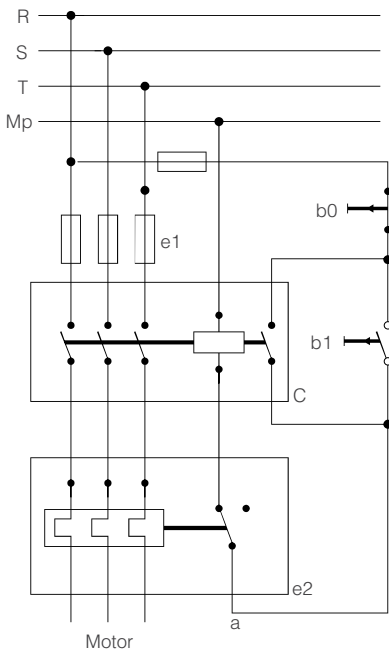
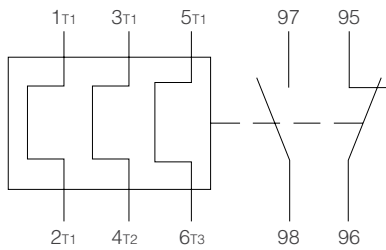
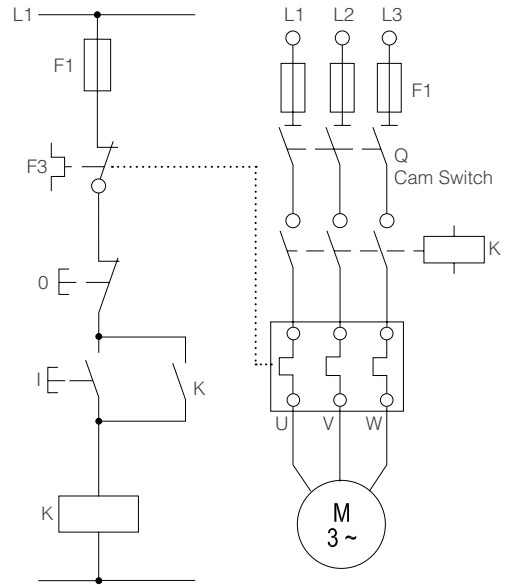
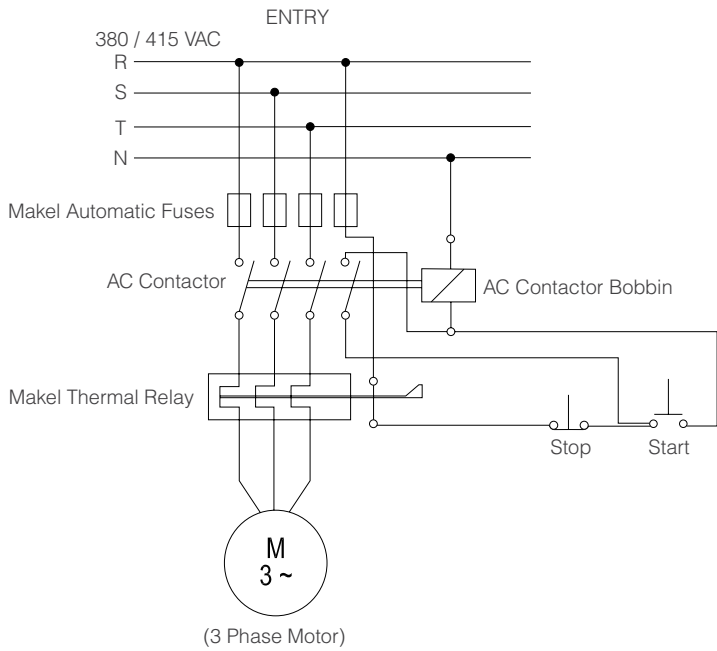


Wiring Diagrams



- a:** The opening and closing of the contactor with the command button; no re-closing prevention on the relay.
- b:** Command with constant contact; relayed equipped with re-closing prevention.
- c:** Contactor
- e1:** Fuses
- e2:** Thermal Relay
- b0:** Open Button
- b1:** Operation Button
- b2:** Constant Contact
- b3:** Button to turn on reclosing prevention