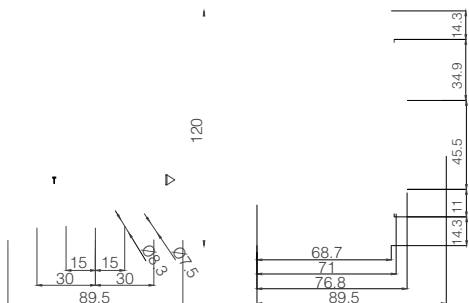
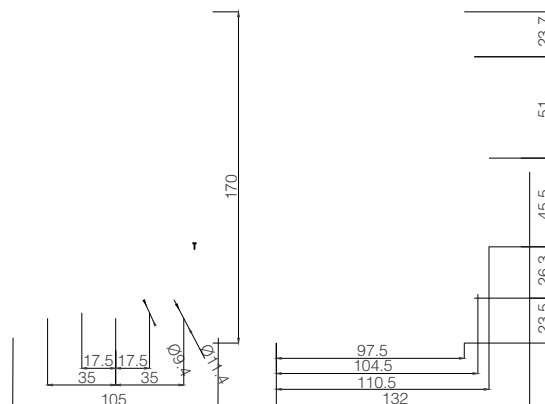


Technical Drawings

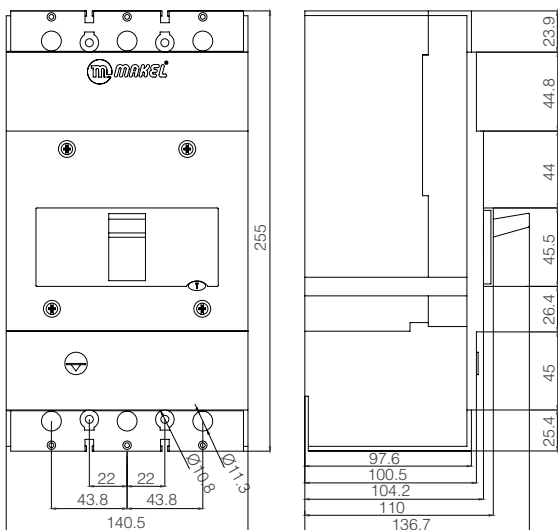
160 A Moulded Case Circuit Breakers (MCCBs)



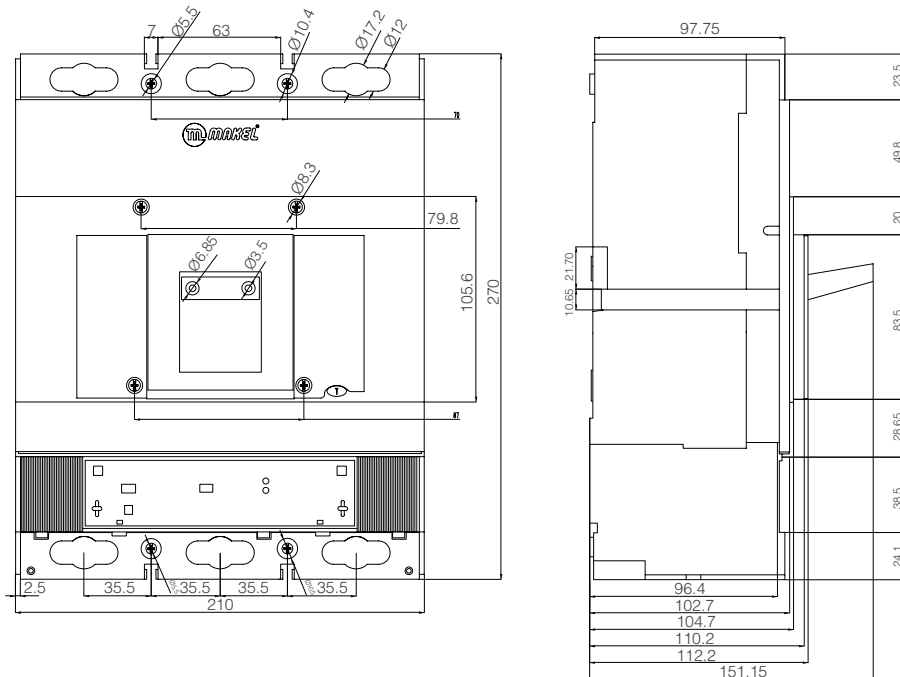
250 A Moulded Case Circuit Breakers (MCCBs)



400 A Moulded Case Circuit Breakers (MCCBs)



500 A, 630 A, 800 A Moulded Case Circuit Breakers (MCCBs)



Technical Drawings

1000 A, 1250 A, 1600 A Compact Circuit Breaker (MCCB) (Electronic Type)

